

## Welcome to our world.

Since the very beginning in 1984, Fixturlaser brand of ACOEM AB has helped industries throughout the world to achieve more profitable and sustainable production. We have reached where we are today by having the courage to think beyond the norm and follow slightly unconventional paths. We have had the courage to make mistakes and find new directions. Through our resolve, ambition and knowledge we have become a global player and a leader in innovative, user-friendly shaft alignment.



- TRUE POSITION SENSING**
- Live Values during Adjustment
  - VertiZontal Moves = Measure Once, Move in Two Directions
  - Both Shaft Positions Monitored Simultaneously

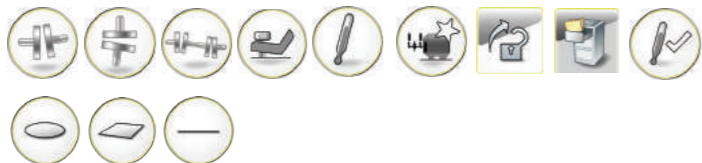


- GRAPHIC WORK FLOW**
- Icon Based – Adaptive User Interface
  - Color Touch Screen
  - Screen Flip



- ALIGNMENT INTELLIGENCE**
- 2nd Generation Digital Sensor
  - All Digital System
  - Unparalleled Signal Control

## FIXTURLASER NXA Ultimate



The Fixturlaser NXA Ultimate includes all shaft alignment applications from the Fixturlaser NXA Pro as well as geometric applications, hence, as the name says, it is an ultimate measurement tool with a high level of usability.

- Our largest range of alignment plus geometric applications
- Geometric routines for straightness and flatness
- Intuitive user interface
- Large touch screen
- Color coded results
- Improved 3D animations with video game quality graphics
- MEMS gyroscope built-in to both sensors and the display unit
- Large 30 millimeter 2nd generation scientific grade CCD sensors
- Wireless Bluetooth® II built-in to the thinnest sensors on the market
- Lifetime warranty



## FIXTURLASER NXA Pro



The Fixturlaser NXA Pro provides the user with a fast and simple operation, as well as giving access to advanced functions and capabilities.

- Intuitive user interface
- Large touch screen
- Color coded results
- Improved 3D animations with video game quality graphics
- MEMS gyroscope built-in to both sensors and the display unit
- Large 30 millimeter 2nd generation scientific grade CCD sensors
- Wireless Bluetooth® II built-in to the thinnest sensors on the market
- Lifetime warranty



## FIXTURLASER EVO



The Fixturlaser EVO offers a compact display unit with a color touch screen. It is slim and balanced, allowing you to hold it in one hand, leaving your other hand free to touch the screen icons and rotate the shafts.

- Intuitive user interface
- 5-inch color touch screen
- Color coded results
- Improved 3D animations with video game quality graphics
- MEMS gyroscope built-in to both sensors
- Large 30 millimeter 2nd generation scientific grade CCD sensors
- Wireless Bluetooth® II built-in to the thinnest sensors on the market
- Lifetime warranty



## FIXTURLASER GO Pro

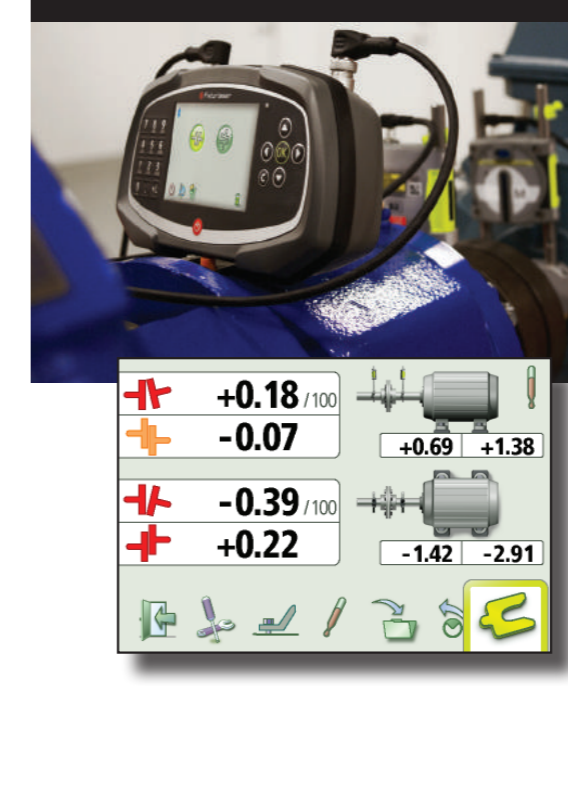


The Fixturlaser GO Pro offers a cost efficient compact and rugged system with all the basic functions required for everyday alignment tasks.

- 4" Color LCD screen
- Intuitive icon-based interface
- M4 and S4 sensors – thinnest available!
- Verti-Zontal alignment screen
- Line lasers plus 30mm CCD detectors
- Pre-mounted fixtures for quick set-up
- Wireless Bluetooth® communication
- Lifetime Warranty



## FIXTURLASER GO Basic



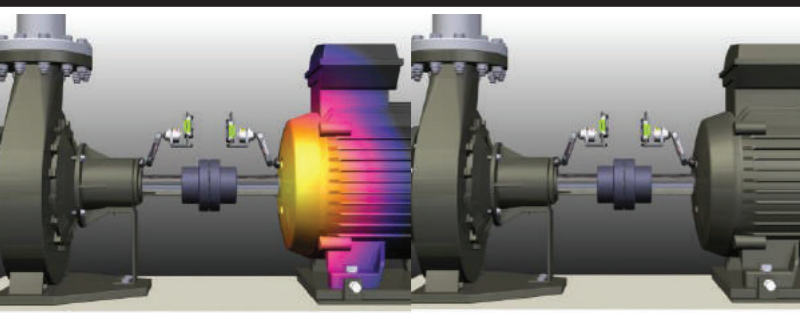
The Fixturlaser GO Basic, comes with high tech hardware and software; a perfected shaft alignment product for horizontal and vertical shaft alignment. This is our entry level system for the digital sensor technology. The system is powered with standard C-cell batteries and has a unique resume function.

- 4" Color LCD screen
- Intuitive icon-based interface
- Verti-Zontal alignment screen
- Go Pro Version 2 sensors
- Line lasers plus 30mm CCD detectors
- Pre-mounted fixtures for quick set-up
- Detachable 3-meter cables
- Lifetime Warranty





## FIXTURLASER OL2R fixtures



### Fixturlaser OL2R, off line to running

If you have unexplainable vibrations in your pump-motor installation, this application can help reduce your doubts (and your vibrations). OL2R measurements use a special fixture that allows measurement while the machine is running. In this way, both the thermal influences and the load that is put into the pump as well as movement in foundations and pipe strains will be taken into account.



## FIXTURLASER Offset kit



### Fixturlaser Offset kit

Offset mounted machines, or cardan driven machines, are often thought of as insensitive to angular errors between driving and driven shaft. Vibration analyses and experiences from paper industry professionals have proved that this is not the case. Conventional alignment methods cannot provide the needed level of accuracy. Using the Fixturlaser NXA Pro together with the Fixturlaser Offset expansion kit, you can precision align any offset mounted machine,



#### Horizontal Shaft Alignment

Determine and correct the relative position of two horizontally mounted machines that are connected, such as a motor and a pump, so that the rotational centers of the shafts are collinear.



#### Vertical Shaft Alignment

Determine and correct the relative position of two vertically/flange mounted machines that are connected, such as a motor and a pump, so that the rotational centers of the shafts are collinear.



#### Machine Train™ Alignment

Align a set-up of more than two rotating machines that are connected to each other.



#### Softcheck™

Softcheck™ checks if there is a soft foot condition, i.e. when the motor is not resting firmly on all its feet.



#### Target Values

Pre-set target values before starting your alignment work when you have determined the machines thermal expansion.



#### Machine Defined Data

Information such as entered distances, measurement method, target values and tolerances are saved in a template.



#### Feetlock™

Solution to solve base-bound and/or bolt-bound machines.



#### Memory Manager

Measurements can be organized in folders and subfolders. Single measurements and/or complete data structures can be copied to USB stick.



#### Hot Check™

Performing a measurement just after the machine has been shut off, and another measurement when the machine is cold. The Hot Check application is then used to compare these two measurements. The difference between the two measurements can be used as target values when shaft alignment is performed.



#### Circular Flatness

A laser plane is used as reference in the circular flatness application. The deviation in distance between the laser plane and the measurement object is measured in one or more positions with the use of the receiver.



#### Rectangular Flatness

The rectangular flatness measurement program uses a laser plane as reference. The deviation in distance between the laser plane and the measurement object is measured in one or more positions with the use of the receiver.



#### Straightness

With the straightness application, straightness can be measured in two axes. The laser beam is used as reference and the deviation in distance between the laser beam and the measurement object is measured in two or more positions, with the use of the receiver.

FEATURES	Fixturlaser GO Basic	Fixturlaser GO Pro	Fixturlaser EVO	Fixturlaser NXA Pro	Fixturlaser NXA Ultimate
Warranty	Lifetime	Lifetime	Lifetime	Lifetime	Lifetime
Measure Distance	5m/16'	5m/16'	10m/30'	10m/30'	10m/30'
Communication	Cabled	Wireless	Wireless	Wireless	Wireless
Cable Option				●	●
Screen Size	4"	4"	5"	6,5"	6,5"
SOFTWARE FUNCTIONS					
Horizontal shaft alignment	●	●	●	●	●
Vertical shaft alignment	●	●	●	●	●
Machine train™ alignment				●	●
Softcheck™	●	●	●	●	●
Screenflip		●	●	●	●
Target Values	●	●	●	●	●
Resume function	●	●	●	●	●
Machine Defined data		●	●	●	●
Feetlock™			●	●	●
Memory Manager	●	●	●	●	●
Omniview				●	●
Vertical	●	●	●	●	●
Hot Check™				●	●
Offset Shaft Alignment				optional	optional
OL2R				optional	optional
Circular Flatness					●
Rectangular Flatness					●
Straightness					●

Fixturlaser, a brand of Acoem, is a global player and a leader in developing innovative, user-friendly equipment for shaft alignment. By helping industry worldwide to become perfectly aligned, and eliminating anything that might not be, we minimize unnecessary wear and production stoppages. This will ultimately make our customers more profitable and our environment more sustainable.



 **Fixturlaser**

ACOEM AB  
P.O. Box 7 SE - 431 21 Mölndal - SWEDEN  
Tel: +46 31 706 28 00 - Fax: +46 31 706 28 50  
E-mail: info@fixturlaser.se - www.fixturlaser.com

P-0233-GB Fixturlaser Product Range Rev A 2015

FIXTURLASER PRODUCT RANGE

 **Fixturlaser**

Brand of ACOEM