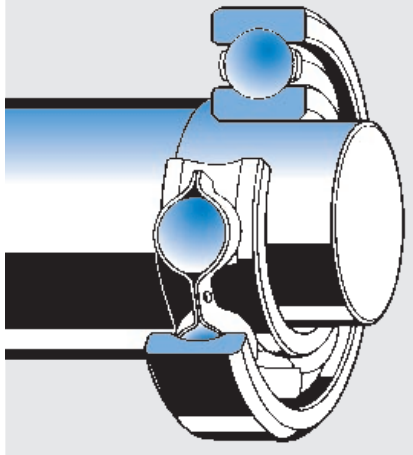


SKF methods and tools

Bearing arrangements

Cylindrical seating



Small bearings

Medium bearings

Large bearings

Cylindrical roller bearing types NU, NJ, NUP, all sizes

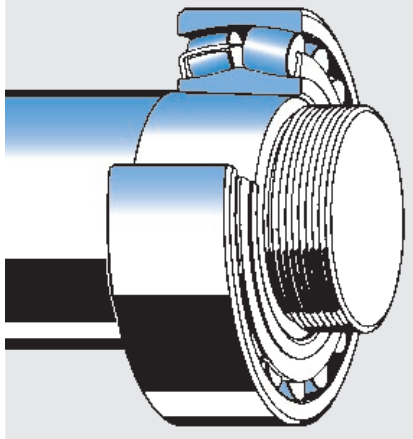
Mounting tools

Mechanical Hydraulic Oil injection Heaters

Dismounting tools

Mechanical Hydraulic Oil injection Heaters

Tapered seating

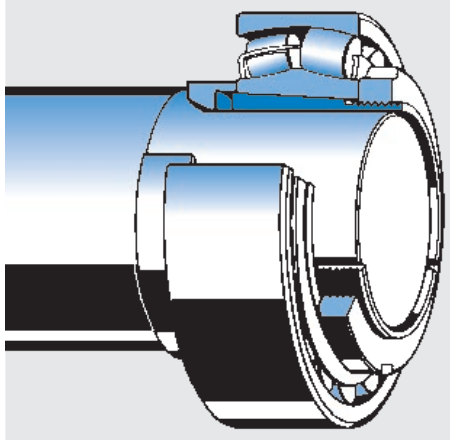


Small bearings

Medium bearings

Large bearings

Adapter sleeve

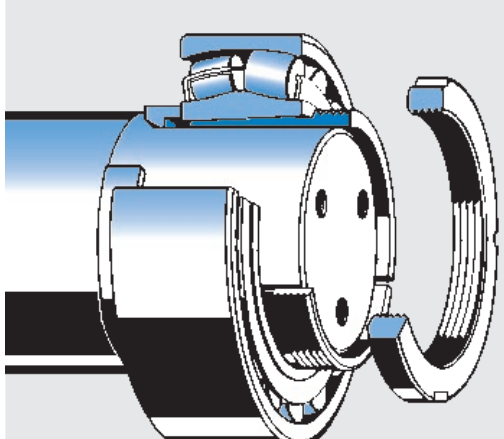


Small bearings

Medium bearings

Large bearings

Withdrawal sleeve



Small bearings

Medium bearings

Large bearings

Small bearings: Bore diameter < 80 mm / Medium bearings: Bore diameter 80 – 200 mm / Large bearings: Bore diameter > 200 mm / * Only for self-aligning ball bearings.

Key

Jaw puller	Bearing separator	Hydraulic puller	Fitting tool	Hook spanner	Impact spanner	Hydraulic nut and pump	Drive-up Method	Oil injection method	Hot plate Induction heater	Aluminium ring EAZ heater