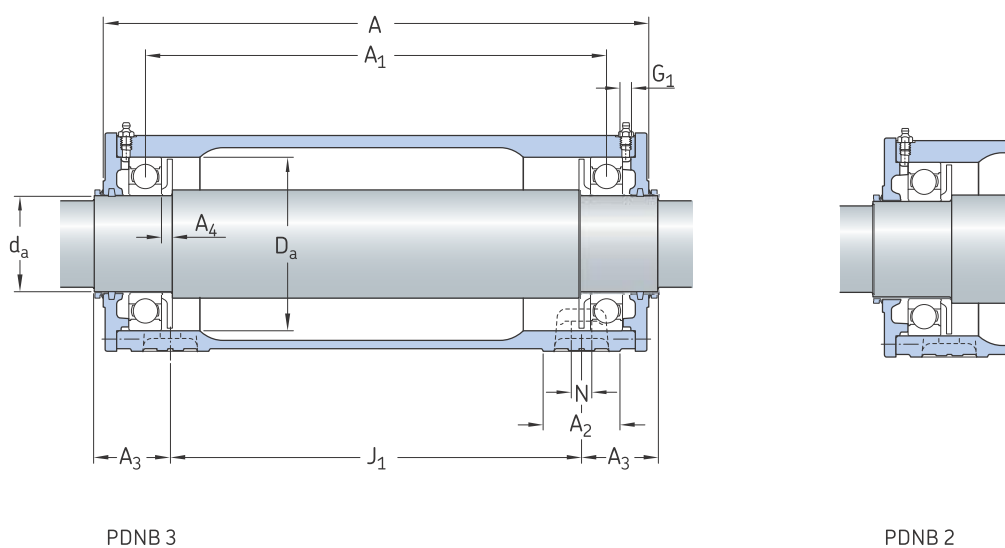


SKF bearing housings and roller bearing units



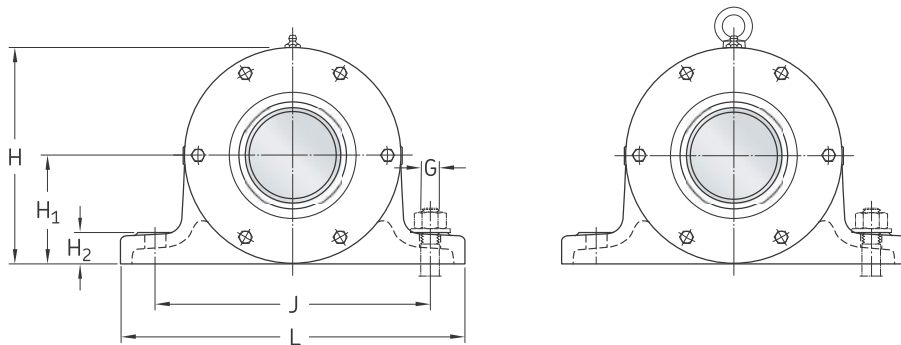
12.1 Two-bearing housings in the PDN series

d_a 85 – 120 mm



Shaft diameter	Housing Designation ¹⁾	Appropriate parts			Spare parts		Unit
d_a		Bearings	Shaft	Wave spring washer	V-ring	Felt strip	Designation ¹⁾
mm	–	–			–		–
85	PDN 317	2 x 6317	VJ-PDNB 317	–	85 VAR	FS 330	PDNB 317
90	PDN 218	2 x 6218	VJ-PDNB 218	WF-160	90 VAR	–	PDNB 218
	PDN 318	2 x 6318	VJ-PDNB 318	–	90 VAR	FS 370	PDNB 318
95	PDN 319	2 x 6319	VJ-PDNB 319	–	95 VAR	FS 370	PDNB 319
100	PDN 220	2 x 6220	VJ-PDNB 220	–	100 VAR	–	PDNB 220
	PDN 320	2 x 6320	VJ-PDNB 320	–	100 VAR	FS 460	PDNB 320
110	PDN 222	2 x 6222	VJ-PDNB 222	–	110 VAR	–	PDNB 222
	PDN 322	2 x 6322	VJ-PDNB 322	–	110 VAR	FS 460	PDNB 322
120	PDN 224	2 x 6224	VJ-PDNB 224	–	120 VAR	–	PDNB 224
	PDN 324	2 x 6324	VJ-PDNB 324	–	120 VAR	FS 460	PDNB 324

¹⁾ For details about the components supplied, refer to the section *Ordering information* on page 570.

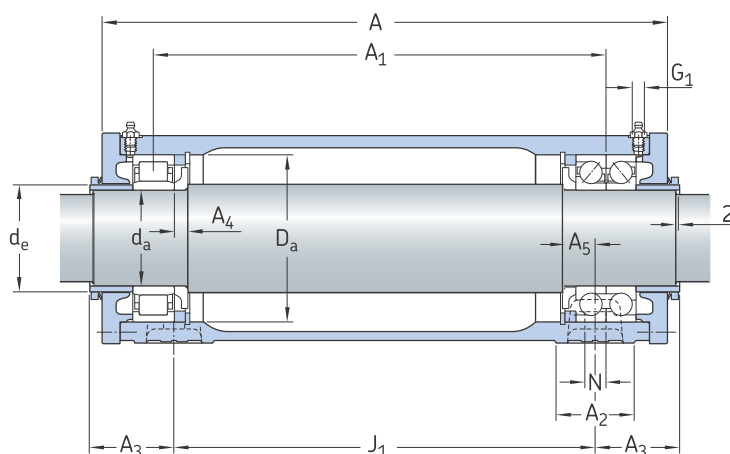


Sizes 224, and 320 and above (with M10 eye bolt)

Shaft diameter d_a	Dimensions Housing																	Mass Housing	Unit
	A	A ₁	A ₂	A ₃	A ₄	D _a	H	H ₁ JS11	H ₂	J	J ₁	L	N	G	G	G ₁			
mm	mm															in.	–	kg	
85	590	486	80	85	12	180	225	112	30	290	440	350	19	16	5/8	G ^{1/4}	61	114	
90	543 605	455,5 510	80 85	81 82,5	12 11	160 190	200 230	100 112	30 30	260 290	400 460	320 350	19 19	16 16	5/8 5/8	G ^{1/4} G ^{1/4}	42,5 71	96,5 134	
95	648	540	90	94	13	200	253	125	36	320	480	400	24	20	3/4	G ^{1/4}	82,5	156	
100	588 673	493 570	80 95	83,5 96,5	12 11,5	180 215	225 264	112 130	30 40	290 320	440 500	350 400	19 24	16 20	5/8 3/4	G ^{1/4} G ^{1/4}	60 92,5	130 177	
110	634 686	547 580	90 95	88 94,5	13 10	200 240	253 296	125 150	36 40	320 380	480 520	400 450	24 28	20 24	3/4 1	G ^{1/4} G ^{1/4}	81 115	176 226	
120	672 707	577 600	95 100	97 96	11,5 11,5	215 260	264 322	130 160	40 40	320 410	500 538	400 500	24 35	20 30	3/4 1 1/4	G ^{1/4} G ^{1/4}	90 135	207 276	

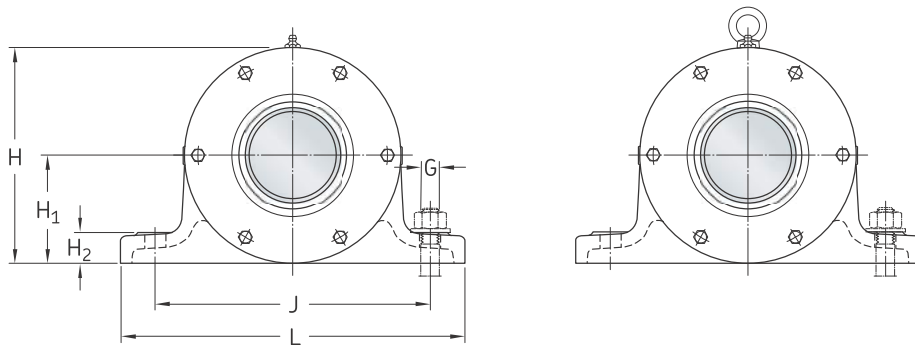
12.2 Two-bearing housings in the PDP series

d_a 70 – 120 mm



Shaft diameter d_a	Housing Designation ¹⁾	Appropriate parts		Shaft	V-ring	Unit Designation ¹⁾	Dimensions Housing	
		Bearings in the locating position	Bearing in the non-locating position				A	A_1
mm	–	–	–	–	–	–	mm	
70	PDP 214	2 x 7214 BECBP	NU 2214 ECP	VJ-PDPF 2214	80 VAR	PDPF 2214	459	376,5
80	PDP 216	2 x 7216 BECBP	NU 2216 ECP	VJ-PDPF 2216	90 VAR	PDPF 2216	493	394,5
90	PDP 218	2 x 7218 BECBP	NU 2218 ECP	VJ-PDPF 2218	100 VAR	PDPF 2218	543	437
100	PDP 220	2 x 7220 BECBP	NU 2220 ECP	VJ-PDPF 2220	110 VAR	PDPF 2220	585	470
110	PDP 222	2 x 7222 BECBP	NU 2222 ECP	VJ-PDPF 2222	120 VAR	PDPF 2222	634	520,5
120	PDP 224	2 x 7224 BCBM	NU 2224 ECP	VJ-PDPF 2224	130 VAR	PDPF 2224	672	548

¹⁾ For details about the components supplied, refer to the section *Ordering information* on page 570.



Size 224 (with M10 eye bolt)

Shaft diameter d_a	Dimensions Housing																Mass Housing	Unit
	A_2	A_3	A_4	A_5	d_e	D_a	H	H_1 JS11	H_2	J	J_1	L	N	G	G	G_1		
mm	mm															in.	–	kg
70	70	69	10	20	79	125	165	80	25	210	340	260	19	16	5/8	G ¹ / ₈	35	63
80	70	76	11	24,5	90	140	185	95	25	230	360	280	19	16	5/8	G ¹ / ₄	32	70,5
90	80	81	12	28,5	100	160	200	100	30	260	400	320	19	16	5/8	G ¹ / ₄	43,5	100
100	80	83,5	12	36,5	112	180	225	112	30	290	440	350	19	16	5/8	G ¹ / ₄	61,5	137
110	90	88	13	36,5	122	200	253	125	36	320	480	400	24	20	3/4	G ¹ / ₄	82,5	185
120	95	97	11,5	33	132	215	264	130	40	320	500	400	24	20	3/4	G ¹ / ₄	92	219